

Octopussy 1265

Octopussy 1465

Tracked Access Platform



Octopussy 1265

Octopussy 1465

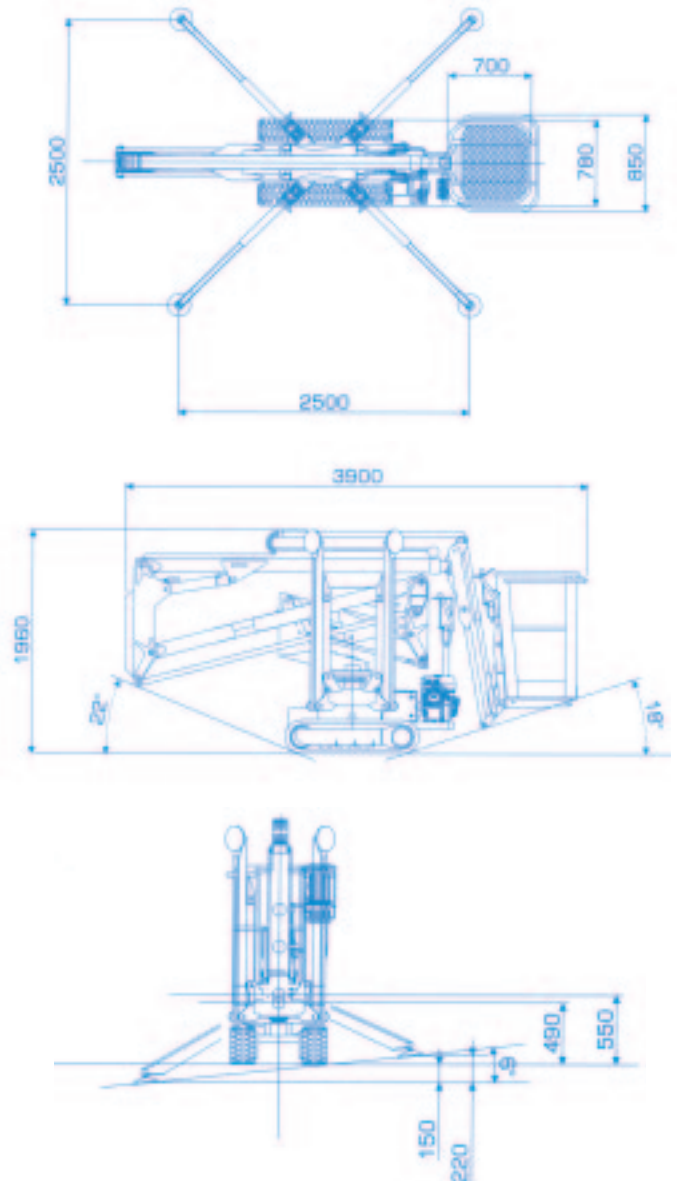
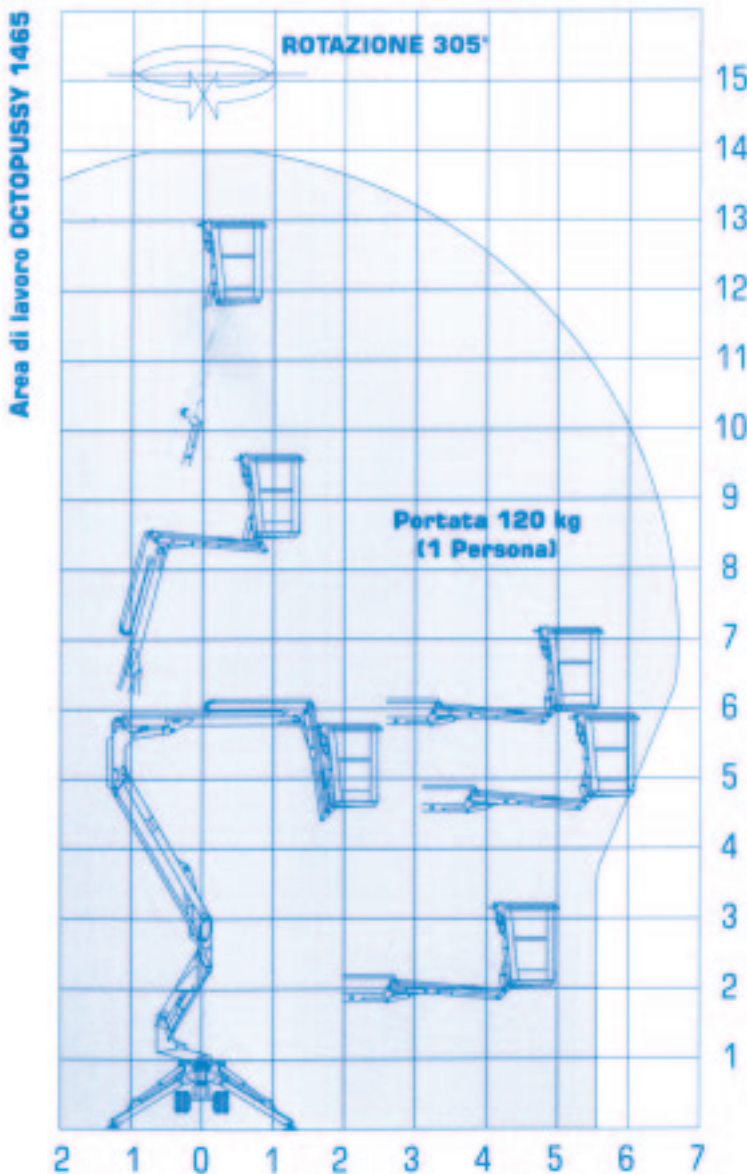
Tracked Access Platform

Specifications:

Max. working height	12m/14m
Max. working outreach	6.5m/6.8m
Slewing turret	320/305 degrees
Removable platform	700 x 700 1100mm
Platform levelling	Hydraulic (closed circuit)
Platform capacity	120 Kg (1 operator)
Machine weight	1400/1600 Kg

Technical Data:

Controls	Hydraulic
Electrical system	12v
Power source	Honda petrol 240AC mains
Drive	Tracked
Drive speed	1.5Km/Hr.
Max. gradient	28%
Max. wind speed	12m/sec.



Rapid
PLATFORMS

London Road, Spellbrook, Bishop's Stortford,
Hertfordshire CM23 4AU

Tel: 01279 501 501

Fax: 01279 501 100

E-mail: info@rapidplatforms.co.uk

Web site: www.rapidplatforms.co.uk