

Spider TS24

Internal
Access
Platform



01279 501501
www.rapidplatforms.co.uk

Spider TS24

Trailer Mounted Access Platform

Standard Features:

Access through 813mm wide x 1980mm high door openings

Working height, up to 24m.

220V chargeable battery power system and/or Honda generator.

Self – propelled electro hydraulic drive system.
Dual operation controls at turret and in basket.

Full hydraulic telescoping of all booms and proportional control of all functions.

360 degree continuous turret rotation.

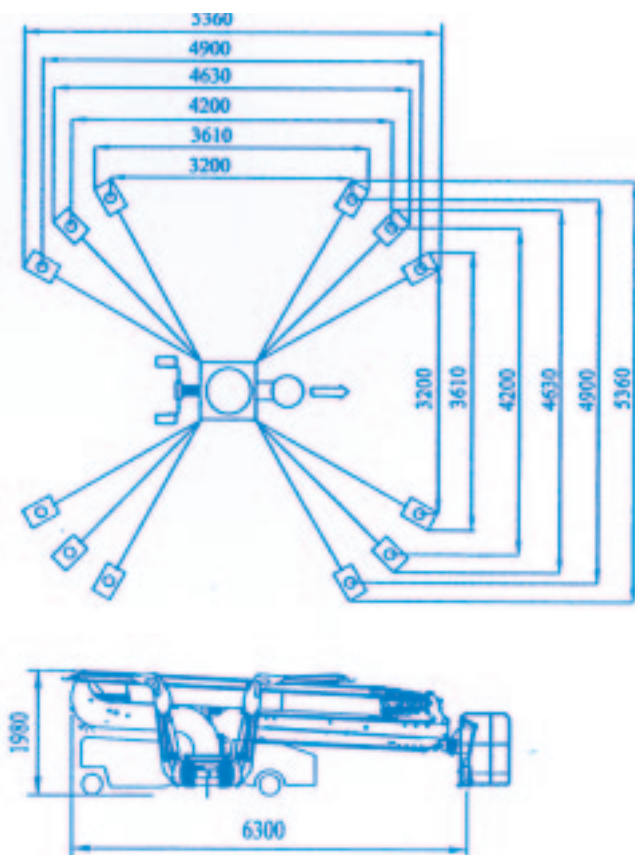
Multi-positioning outriggers allow individual adjustment and setting of each outrigger in both horizontal and vertical position.

The hydraulic / manual outriggers can be levelled up to 8.5 degree of slope.

Automatic safety and stability system ensures optimum outreach and maximum safety.

All wheel drive giving considerable traction.

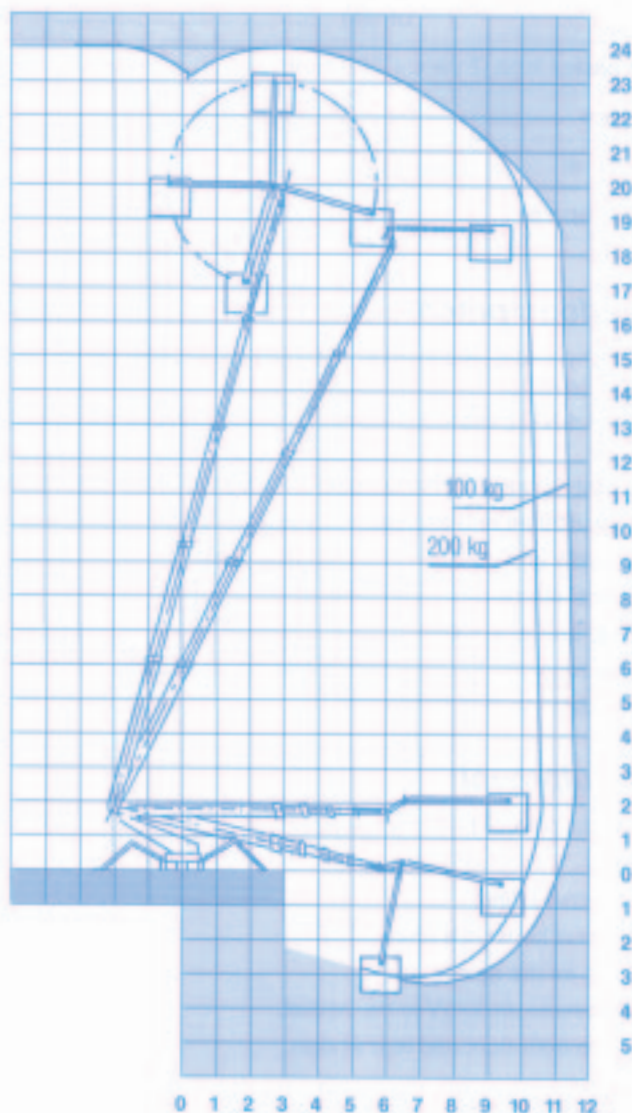
110V power supply in the basket.



Technical Data

Working Height	24m/79ft*
Basket arm rotation	275 degree
Steel Basket	0.7x1.2m / 2.3x3..9ft
Max. basket load	200kg
Stowed height	1.98m/6.5ft
Stowed length	6.00m/19.7ft
Stowed width	0.78m/2.6ft
Weight	3250kg
Max weight at wheels	5kg/cm

* Reach depends on positioning of supporting legs and basket



Rapid
PLATFORMS

London Road, Spellbrook, Bishop's Stortford,
Hertfordshire CM23 4AU

Tel: 01279 501 501

Fax: 01279 501 100

E-mail: info@rapidplatforms.co.uk

Web site: www.rapidplatforms.co.uk